

Fork heads

SPECIFICATION

Version in Steel

Steel

- Tensile strength class 5
- zinc plated, blue passivated

Version in Aluminium

Aluminium **AL**
anodized, black

Version in Stainless Steel

Stainless Steel AISI 303 **NI**
blank

INFORMATION

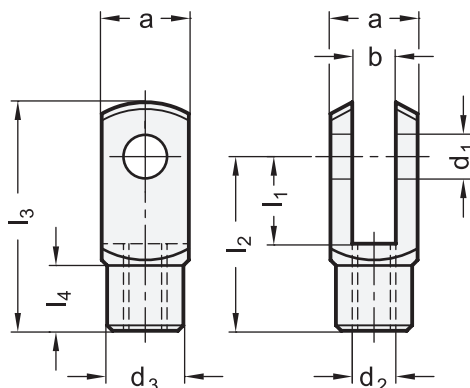
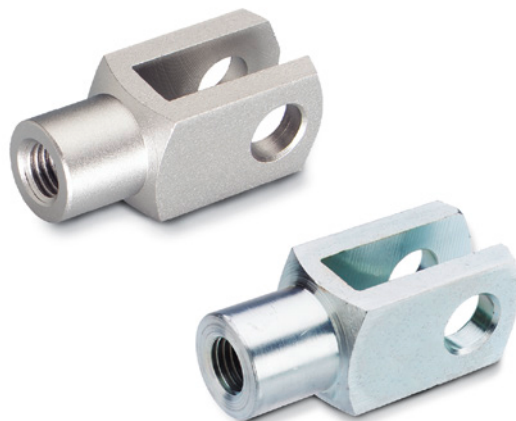
Size $d_1 = 12$ is supplied with a fine thread M12 x1.5 according to DIN. In practice, however, M12 x1.25 is preferred. DIN 71752 does not foresee size $d_1 = 20$.

TECHNICAL INFORMATION

- ISO-Fundamental Tolerances (see page A21)
- Stainless Steel characteristics (see page A26)
- Strength values of nuts (see page A20)

ON REQUEST

- Fork heads in accordance with DIN 71752 with $d_1 = 25, 30, 35, 42$ and 50 (only Steel-Version)
- Fork heads in accordance with DIN 71752 with $d_1 = 30$ and 35 (only Stainless Steel-Version)



* Complete with type index of the Fork heads (AL or NI)

AL **NI**
Aluminium Stainless Steel

DIN 71752

STAINLESS STEEL

Description	d_1 H9/h11	l_1	d_2	a	b	d_3	l_2	l_3	l_4
DIN 71752-4-8-M4-*	4**	8	M 4	8	4	8	16	21	6
DIN 71752-4-16-M4-*	4**	16	M 4	8	4	8	24	29	6
DIN 71752-5-10-M5-*	5**	10	M 5	10	5	9	20	26	7.5
DIN 71752-5-20-M5-*	5**	20	M 5	10	5	9	30	36	7.5
DIN 71752-6-12-M6-*	6**	12	M 6	12	6	10	24	31	9
DIN 71752-6-24-M6-*	6**	24	M 6	12	6	10	36	43	9
DIN 71752-8-16-M8-*	8**	16	M 8	16	8	14	32	42	12
DIN 71752-8-32-M8-*	8**	32	M 8	16	8	14	48	58	12
DIN 71752-10-20-M10-*	10**	20	M 10	20	10	18	40	52	15
DIN 71752-10-40-M10-*	10**	40	M 10	20	10	18	60	72	15
DIN 71752-12-24-M12-*	12**	24	M 12	24	12	20	48	62	18
DIN 71752-12-48-M12-*	12**	48	M 12	24	12	20	72	86	18
DIN 71752-14-28-M14-*	14**	28	M 14	28	14	24	56	72	22.5
DIN 71752-14-56-M14-*	14**	56	M 14	28	14	24	85	101	22.5
DIN 71752-16-32-M16-*	16**	32	M 16	32	16	26	64	83	24
DIN 71752-16-64-M16-*	16**	64	M 16	32	16	26	96	115	24
DIN 71752-20-40-M20-*	20**	40	M 20	40	20	34	80	105	30

Weight type AL

** Aluminium not available from stock, requires a minimum order quantity



Joints, Couplings, Gears 10

DIN 71752-Steel

Description	d1 H9/h11	l1	d2	a	b	d3	l2	l3	l4	△
DIN 71752-4-8-M4	4	8	M 4	8	4	8	16	21	6	5
DIN 71752-4-16-M4	4	16	M 4	8	4	8	24	29	6	7
DIN 71752-5-10-M5	5	10	M 5	10	5	9	20	26	7.5	9
DIN 71752-5-10-M5L	5	10	M 5L	10	5	9	20	26	7.5	9
DIN 71752-5-20-M5	5	20	M 5	10	5	9	30	36	7.5	13
DIN 71752-5-20-M5L	5	20	M 5L	10	5	9	30	36	7.5	13
DIN 71752-6-12-M6	6	12	M 6	12	6	10	24	31	9	14
DIN 71752-6-12-M6L	6	12	M 6L	12	6	10	24	31	9	11
DIN 71752-6-24-M6	6	24	M 6	12	6	10	36	43	9	21
DIN 71752-6-24-M6L	6	24	M 6L	12	6	10	36	43	9	21
DIN 71752-8-16-M8	8	16	M 8	16	8	14	32	42	12	36
DIN 71752-8-16-M8L	8	16	M 8L	16	8	14	32	42	12	36
DIN 71752-8-16-M8F	8	16	M 8F = M8x1	16	8	14	32	42	12	36
DIN 71752-8-32-M8	8	32	M 8	16	8	14	48	58	12	52
DIN 71752-8-32-M8L	8	32	M 8L	16	8	14	48	58	12	52
DIN 71752-8-32-M8F	8	32	M 8F = M8x1	16	8	14	48	58	12	52
DIN 71752-10-20-M10	10	20	M 10	20	10	18	40	52	15	72
DIN 71752-10-20-M10L	10	20	M 10L	20	10	18	40	52	15	72
DIN 71752-10-20-M10F	10	20	M 10F = M10x1.25	20	10	18	40	52	15	72
DIN 71752-10-40-M10	10	40	M 10	20	10	18	60	72	15	102
DIN 71752-10-40-M10L	10	40	M 10L	20	10	18	60	72	15	102
DIN 71752-10-40-M10F	10	40	M 10F = M10x1.25	20	10	18	60	72	15	102
DIN 71752-12-24-M12	12	24	M 12	24	12	20	48	62	18	117
DIN 71752-12-24-M12L	12	24	M 12L	24	12	20	48	62	18	117
DIN 71752-12-24-M12F	12	24	M 12F = M12x1.25	24	12	20	48	62	18	117
DIN 71752-12-48-M12	12	48	M 12	24	12	20	72	86	18	165
DIN 71752-12-48-M12L	12	48	M 12L	24	12	20	72	86	18	165
DIN 71752-12-48-M12F	12	48	M 12F = M12x1.25	24	12	20	72	86	18	165
DIN 71752-14-28-M14	14	28	M 14	28	14	24	56	72	22.5	171
DIN 71752-14-28-M14L	14	28	M 14L	28	14	24	56	72	22.5	171
DIN 71752-14-28-M14F	14	28	M 14F = M14x1.5	28	14	24	56	72	22.5	171
DIN 71752-14-56-M14	14	56	M 14	28	14	24	85	101	22.5	248
DIN 71752-14-56-M14L	14	56	M 14L	28	14	24	85	101	22.5	248
DIN 71752-14-56-M14F	14	56	M 14F = M14x1.5	28	14	24	85	101	22.5	248
DIN 71752-16-32-M16	16	32	M 16	32	16	26	64	83	24	267
DIN 71752-16-32-M16L	16	32	M 16L	32	16	26	64	83	24	267
DIN 71752-16-32-M16F	16	32	M 16F = M16x1.5	32	16	26	64	83	24	267
DIN 71752-16-64-M16	16	64	M 16	32	16	26	96	115	24	393
DIN 71752-16-64-M16L	16	64	M 16L	32	16	26	96	115	24	393
DIN 71752-16-64-M16F	16	64	M 16F = M16x1.5	32	16	26	96	115	24	393
DIN 71752-20-40-M20	20	40	M 20	40	20	34	80	105	30	520
DIN 71752-20-40-M20L	20	40	M 20L	40	20	34	80	105	30	520